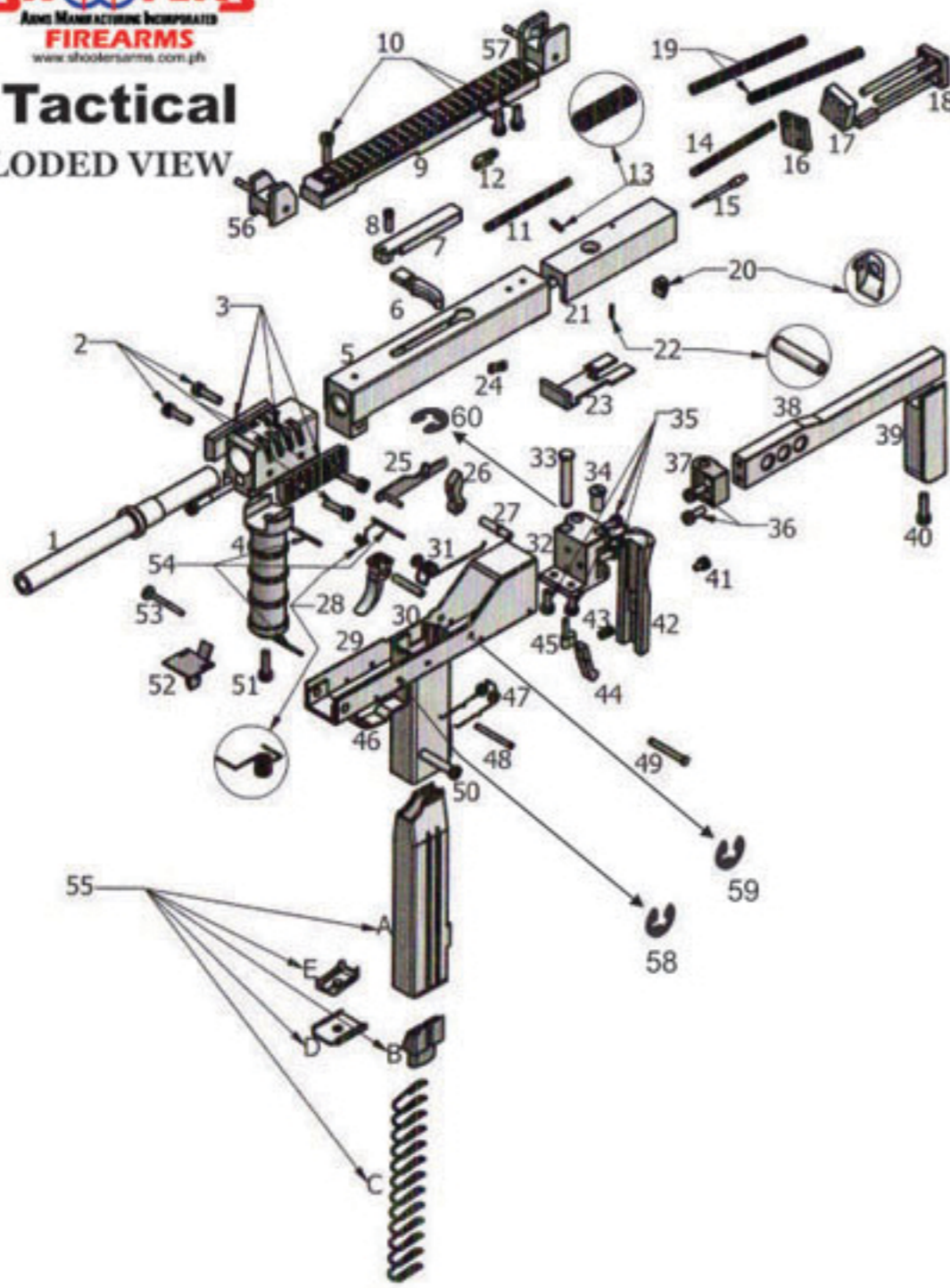




## X9 Tactical Exploded View



Ref #	Name
53	Main Pin Lock
54	Roll Pin(3 pcs.) at Lower Receiver
55	Magazine
	A.Magazine Body
	B.Magazine Follower
	C.Magazine Spring
	D.Magazine Pad
	E.Magazine Spring Guide
56	Front Sight w/screw(M3x0.50-6g)
57	Rear Sight w/screw (M3x0.50-6g)
58	Trigger Pin C-Lock (1pc.)
59	Hammer Pin C-Lock (1pc.)
60	Collapsible Folding Pin C-Lock (1pc.)

Ref #	Name
1	Barrel
2	Allen Screw (5 pcs.) (Picatiny Base Aluminum)
3	Picatiny Base w/2 Picatiny Rails (Aluminum)
4	Forearm Handle
5	Upper Receiver
6	Bolt Handle Extension (Aluminum)
7	Bolt Handle Bar (Aluminum)
8	Screw Bolt Handle
9	Top Picatiny Rail (Aluminum)
10	Allen Screw Bolt (3 pcs.) (Top Picatiny Rail)
11	Bolt Handle Bar Spring
12	Extractor
13	Extractor Spring
14	Firing Pin Spring
15	Firing Pin
16	Rubber Pad
17	Metal Pad
18	Recoil Ejector Assembly
19	Recoil Spring (2 pcs.)
20	Firing Pin Stop
21	Bolt
22	Roll Pin at Extractor
23	Sear Plate
24	Sear Plate Spring
25	Trigger Bar
26	Hammer
27	Hammer Bushing
28	Trigger Bar Spring
29	Trigger
30	Trigger Pin Bushing
31	Hammer Spring
32	Collapsible Housing (Aluminum)
33	Collapsible Folding Pin
34	Collapsible Folding Lock Pin
35	Collapsible Housing Allen Screw(5pcs.)
36	Butt Rod Handle Allen Screw (2pcs.)
37	Butt Rod Handle (Metal)
38	Butt Rod (Aluminum)
39	Butt Rod Extension (Plastic)
40	Allen Screw Butt Rod Extension (Plastic)
41	Grip Screw
42	Grip
43	Magazine Catch Spring
44	Magazine Catch
45	Folding Lock Screw (Collapsible Housing)
46	Lower Receiver Assembly
47	Trigger Bar Spring
48	Trigger Pin
49	Hammer Pin
50	Main Pin
51	Forearm Handle Screw
52	Safety Lock