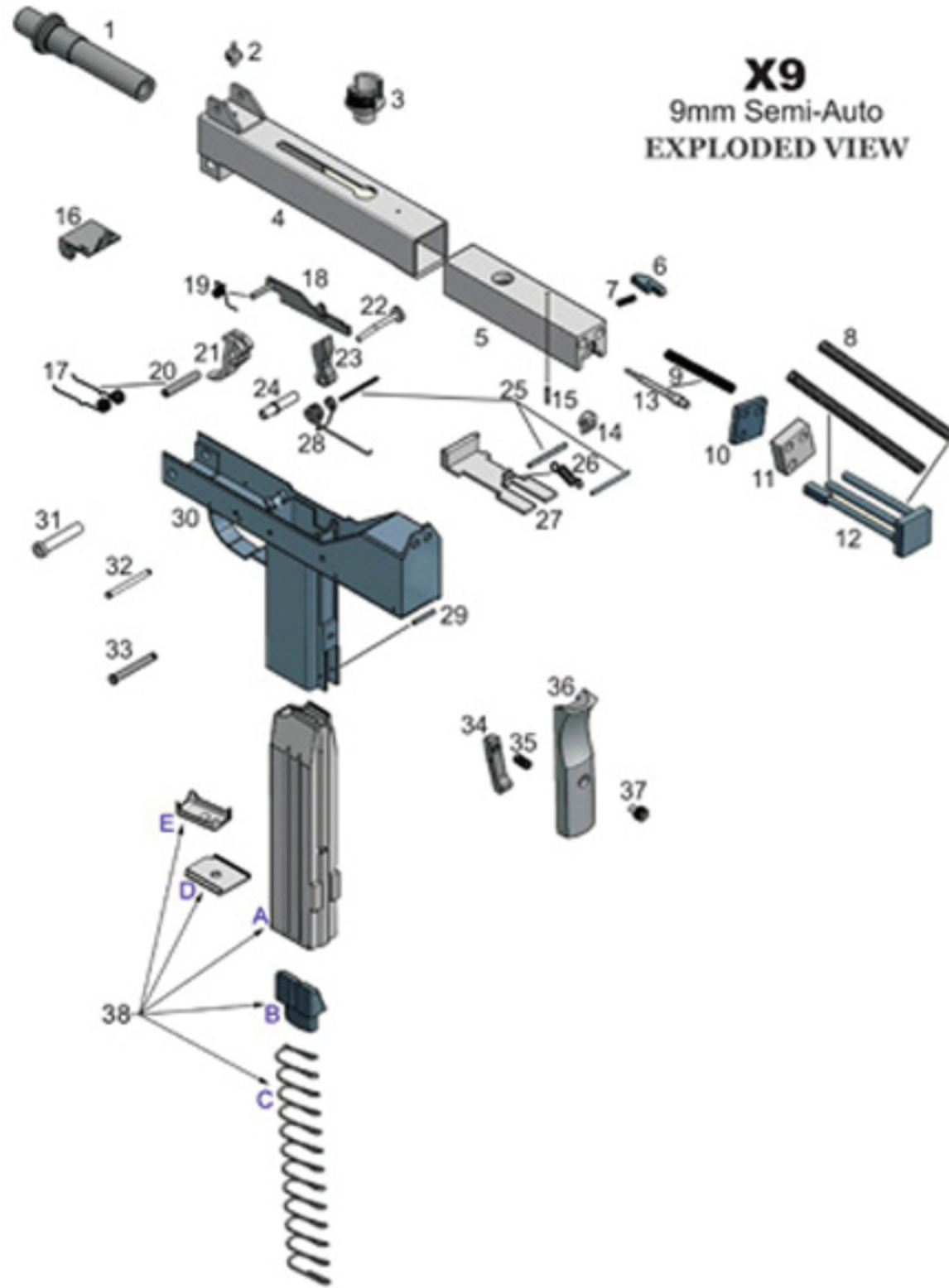




## X9 9mm Semi-Auto Exploded View



Ref #	Name
37	Grip Screw
38	Magazine
38.A	Magazine Body
38.B	Magazine Follower
38.C	Magazine Spring
38.D	Magazine Pad
38.E	Magazine Spring Guide

Ref #	Name
1	Barrels
2	Front Sight
3	Bolt Handle
4	Upper Receiver
5	Bolt
6	Extractor
7	Extractor Spring
8	Recoil Spring (2 pcs.)
9	Firing Pin Spring
10	Metal Base Pad
11	Rubber Pad
12	Recoil Ejector Assembly
13	Firing Pin
14	Firing Pin Stop
15	Extractor Pin
16	Safety Lock
17	Sear Plate
18	Trigger Bar
19	Trigger Bar Spring
20	Trigger Pin Bushing
21	Trigger
22	Main Lock Pin
23	Hammer
24	Hammer Bushing
25	Roll Pin (3 pcs.)
26	Sear Plate Spring
27	Sear Plate
28	Hammer Spring
29	Magazine Catch Pin
30	Lower Receiver
31	Main Pin
32	Trigger Pin
33	Hammer Pin
34	Magazine Catch
35	Magazine Catch Spring
36	Plastic Grip
37	sample parts