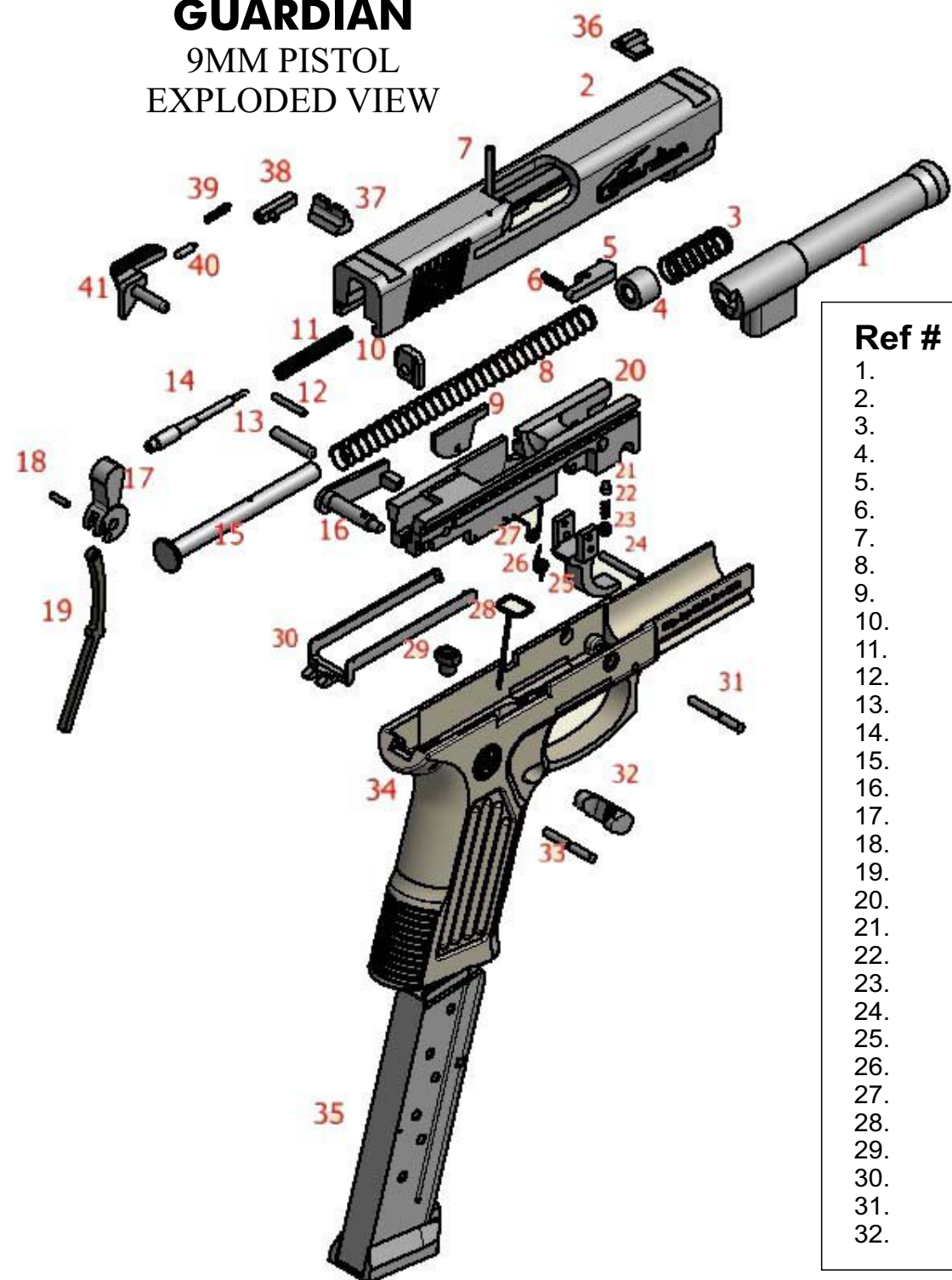


GUARDIAN
9MM PISTOL
EXPLODED VIEW



Ref #	Name
1.	Barrel
2.	Slide
3.	Primary Recoil Spring
4.	Primary Plug Case
5.	Extractor
6.	Extractor Spring
7.	Roll Pin
8.	Secondary Recoil Spring
9.	Ejector
10.	Firing Pin Stop
11.	Firing Pin Spring
12.	Ejector Pin
13.	Hammer Pin
14.	Firing Pin
15.	Stabilizer
16.	Slide Stop
17.	Hammer
18.	Hammer Strut Pin
19.	Hammer
20.	Rail
21.	Plunger Pin
22.	Plunger Pin Spring
23.	Plunger Set Screw/Allen
24.	Trigger Pin
25.	Trigger
26.	Trigger Spring
27.	Trigger Bow Spring
28.	Mag Catch Spring
29.	Spring Cup
30.	Trigger Bow
31.	Front Pin
32.	Magazine Catch

Ref #	Name
33.	Back Pin
34.	Frame
35.	Magazine ACP.9mm
36.	Front Sight/Mim
37.	Rear Sight/Mim
38.	Plunger Tube/Mim
39.	Plunger Tube Spring
40.	Plunger Tube Pin
41.	Safety Lock/Mim

GUARDIAN DISASSEMBLY PROCEDURE



STEP 1-Magazine Removal

Press magazine catch and remove magazine



STEP 2-Slide Stop Removal

Align disassembly notch on slide with slide stop detent. Press slide stop shaft on the other side of frame and remove slide stop by pulling it out.



STEP 3-Slide Removal

Pull the slide forward in its guide and remove slide.



STEP 4-Safety Lock Removal

Push the front and back pin using pin remover. Gently remove the rail by pulling it out from the frame and remove safety lock.



STEP 5-Barrel Removal 1

1. Push the barrel forward



STEP 6-Barrel Removal 2

2. Insert a pin at the recoil spring guide's hole to stop a backward motion. You can use any pin as long as it fits the hole.



STEP 7-Barrel Removal 3

3. Pull the barrel and remove from the slide



STEP 8-Pin Removal

Pull off the pin from the hole to free the recoil spring guide



STEP 9-Recoil Spring Guide Removal

Pull off the recoil spring guide with the spring from the slide